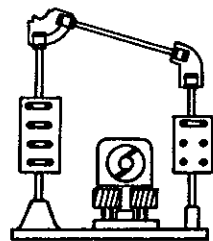



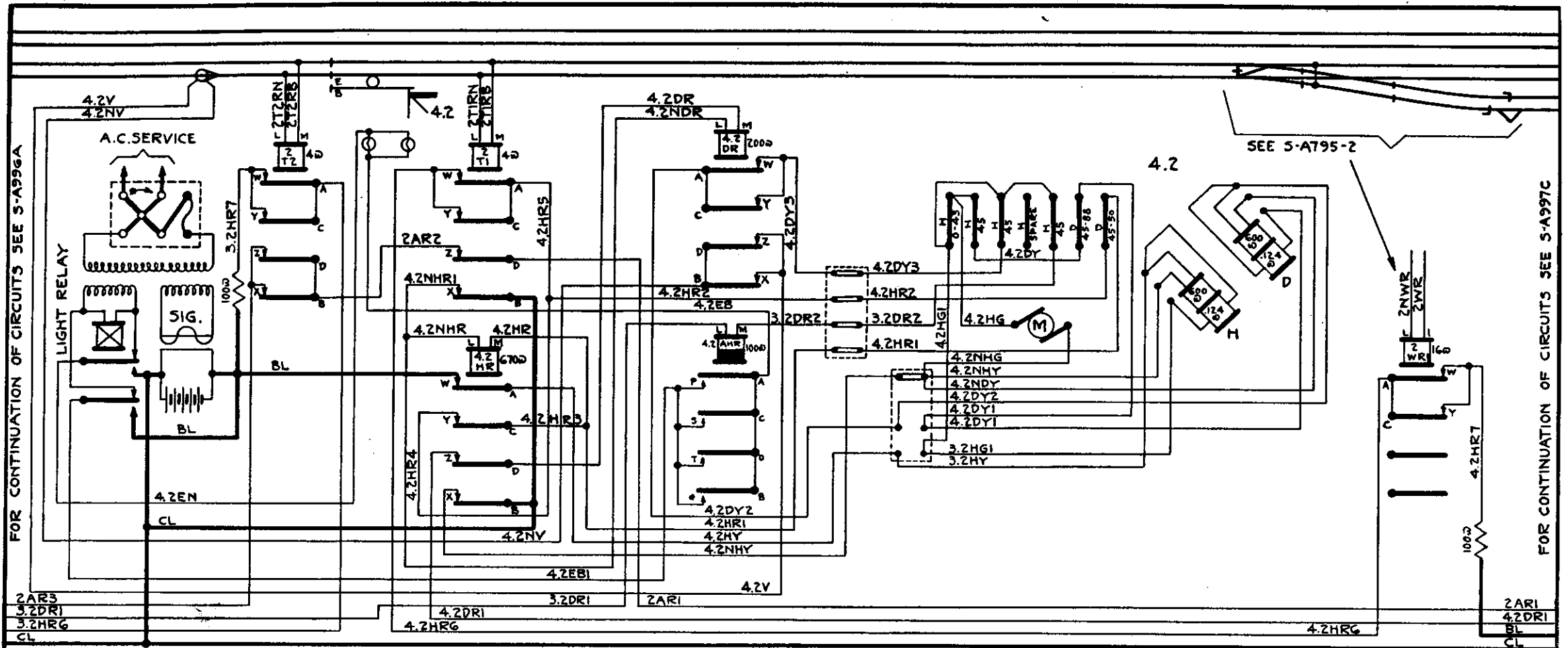
2.2DR1 2.2DR2 2.2DR3 2.2DR4 2.2DR5 2.2DR6 2.2DR7 2.2DR8 2.2DR9 2.2DR10 2.2DR11 2.2DR12 2.2DR13 2.2DR14 2.2DR15 2.2DR16 2.2DR17 2.2DR18 2.2DR19 2.2DR20 2.2DR21 2.2DR22 2.2DR23 2.2DR24 2.2DR25 2.2DR26 2.2DR27 2.2DR28 2.2DR29 2.2DR30 2.2DR31 2.2DR32 2.2DR33 2.2DR34 2.2DR35 2.2DR36 2.2DR37 2.2DR38 2.2DR39 2.2DR40 2.2DR41 2.2DR42 2.2DR43 2.2DR44 2.2DR45 2.2DR46 2.2DR47 2.2DR48 2.2DR49 2.2DR50 2.2DR51 2.2DR52 2.2DR53 2.2DR54 2.2DR55 2.2DR56 2.2DR57 2.2DR58 2.2DR59 2.2DR60 2.2DR61 2.2DR62 2.2DR63 2.2DR64 2.2DR65 2.2DR66 2.2DR67 2.2DR68 2.2DR69 2.2DR70 2.2DR71 2.2DR72 2.2DR73 2.2DR74 2.2DR75 2.2DR76 2.2DR77 2.2DR78 2.2DR79 2.2DR80 2.2DR81 2.2DR82 2.2DR83 2.2DR84 2.2DR85 2.2DR86 2.2DR87 2.2DR88 2.2DR89 2.2DR90 2.2DR91 2.2DR92 2.2DR93 2.2DR94 2.2DR95 2.2DR96 2.2DR97 2.2DR98 2.2DR99 2.2DR100

CL

N. Y. C. R. R. WEST OF BUFFALO.		SIGNAL DEPT.	CLEVELAND, O.
AUTOMATIC SEMAPHORE SIGNAL CIRCUITS STYLE "B" SIGNAL LOWER QUADRANT			
MARCH 14, 1931.			
REVISION NO. 1	MAY 21, 1931.	S-A996A	
 TERMINAL BOARD LOCATIONS ON MECHANISM FRAME		 SIGNAL ENGINEER	

JCOG

S-217A

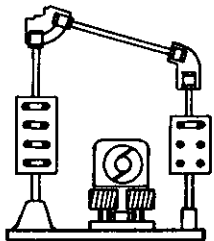


FOR CONTINUATION OF CIRCUITS SEE S-A996A


FOR CONTINUATION OF CIRCUITS SEE S-A997C

2AR3
3.2DR1
3.2HR6
CL

2ARI
4.2DR1
BL
CL



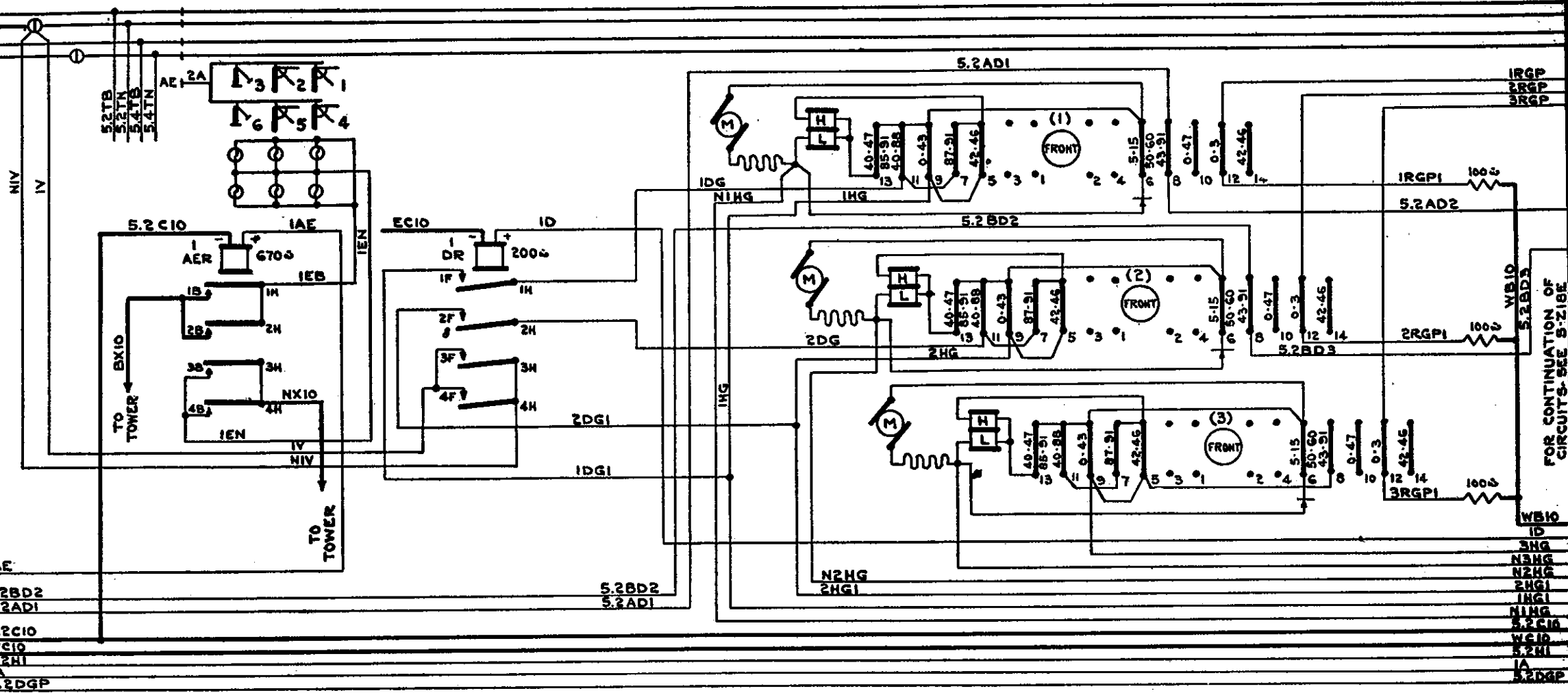
TERMINAL BOARD LOCATIONS ON MECHANISM FRAME

N. Y. C. R. R. WEST OF BUFFALO.	SIGNAL DEPT.	CLEVELAND, O.
AUTOMATIC SEMAPHORE SIGNAL CIRCUITS STYLE "B" SIGNAL THREE POSITION UPPER QUADRANT		
MARCH 14, 1931.		
REVISION NO. 1	MAY 21, 1931.	S-A996B
 SIGNAL ENGINEER		

JCO 7

S-217B

FOR CONTINUATION OF CIRCUITS SEE S-218-C



IAE
 5.2BD2
 5.2AD1
 5.2C10
 WC10
 5.2H1
 IA
 5.2DGP

5.2BD2
 5.2AD1

N2HG
 2HG1

IRGP
 2RGP
 3RGP
 1RGPI
 100Ω
 5.2AD2
 WB10
 2RGPI
 100Ω
 5.2BD3
 3RGPI
 100Ω
 WB10
 ID
 3HG
 N3HG
 N2HG
 2HG1
 IHG1
 NIHG
 5.2C10
 WC10
 5.2H1
 IA
 5.2DGP

FOR CONTINUATION OF CIRCUITS-SEE S-218E

N. Y. C. R. R. | SIGNAL DEPT | CLEVELAND, O.

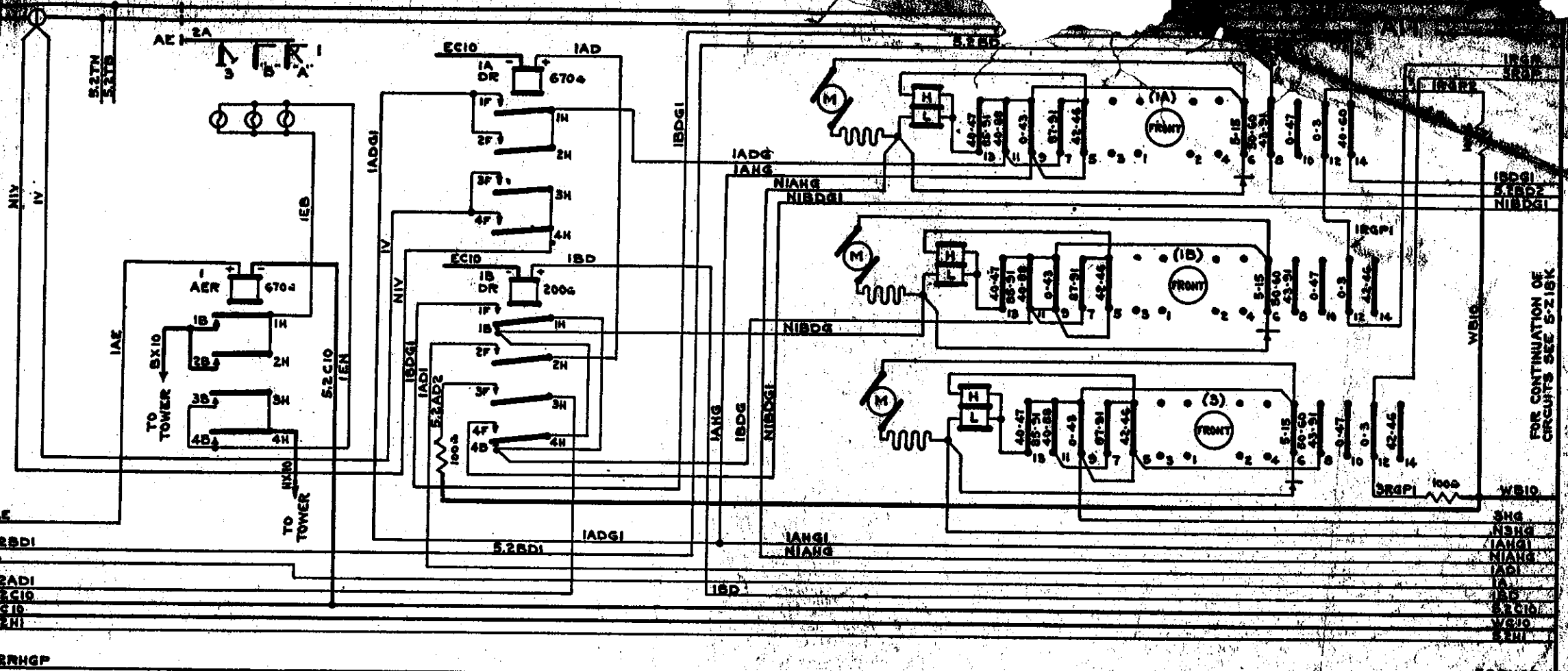
SEMI-AUTO. SEMAPHORE SIGNAL CIRCUITS

DATED MAR.14,1931. | REV. NOV.25,1944. | S-218D2

APPROVED FOR
 N.Y.C. WEST OF BUFFALO

H.D. Obermeyer
 ASST. SIGNAL ENGINEER

FOR CONTINUATION OF CIRCUITS SEE S-218H



FOR CONTINUATION OF CIRCUITS SEE S-218K

IAE
S-2BDI
IA
S-2ADI
S-2C10
WC10
S-2H
S-2RHGP

WB10
SNG
NSNG
IANG
NIANG
IA
IB
EC10
WC10
S-2H
S-2RHGP

N. Y. C. R. R. | SIGNAL DEPT. | CLEVELAND, O.

SEMI-AUTO. SEMAPHORE SIGNAL CIRCUITS
RESTRICTED SPEED INDICATION

DATED MAR. 14, 1931 | REV. NOV. 25, 1934 | S-218

APPROVED FOR
N. Y. C. R. R. OF BUFFALO

[Signature]
ASST. SIGNAL ENGINEER