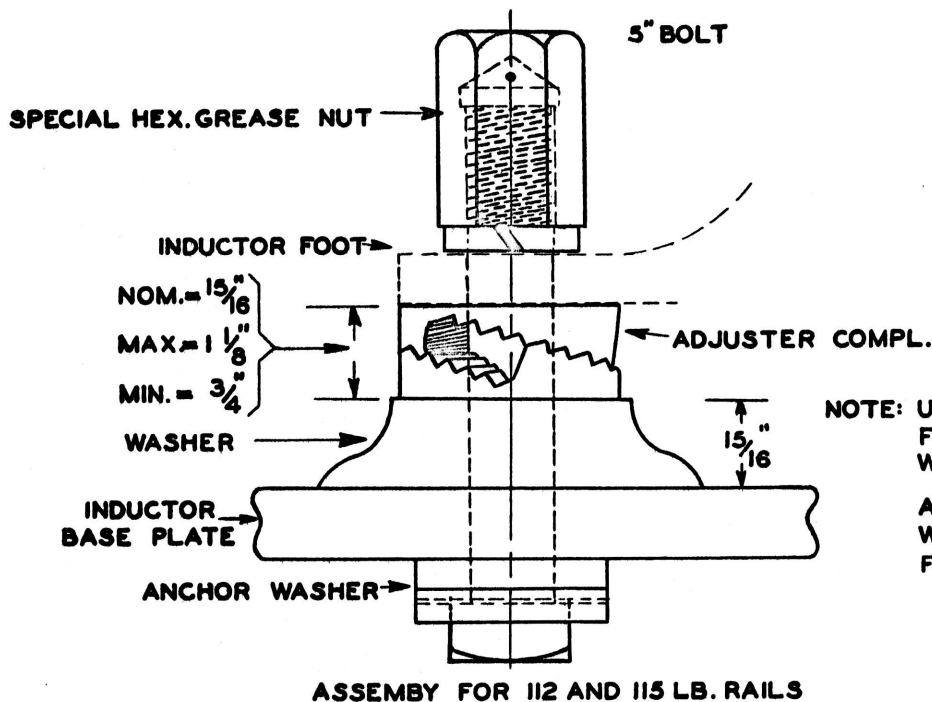
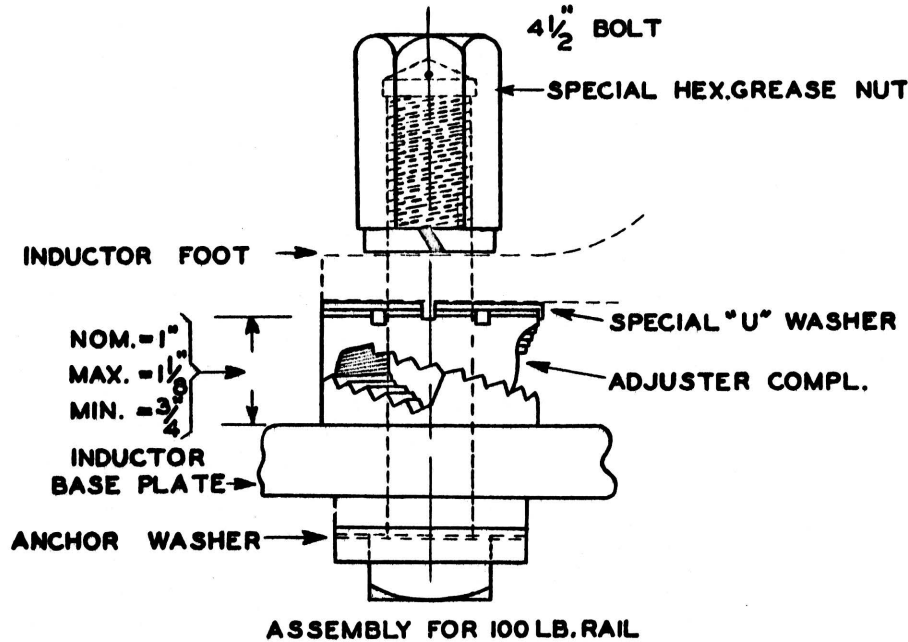


MADE 5-18-51

REVISIONS



NOTE: USE 112-115 LB. RAIL ASSEMBLY FOR 110 LB. RAIL EXCEPT WASHER TO BE 1 1/16".

ASSEMBLIES TO BE COATED WITH NO-OX-ID CONSISTENCY * FOLLOWING INSTALLATION.

C. & N. W. RY.
INDUCTOR FASTENING ASSEMBLIES
INTERMITTENT INDUCTIVE TRAIN STOP SYSTEM

OFFICE OF ASST. CHIEF ENGR. C. & S.
CHICAGO ILL. 5-18-51

SCALE 1/2" = 1"

C. & N. W. RY.
S. D. X 131

DRAWN BY *L.S.B.*
TRACED BY *R.L.* CHECKED BY *[Signature]*