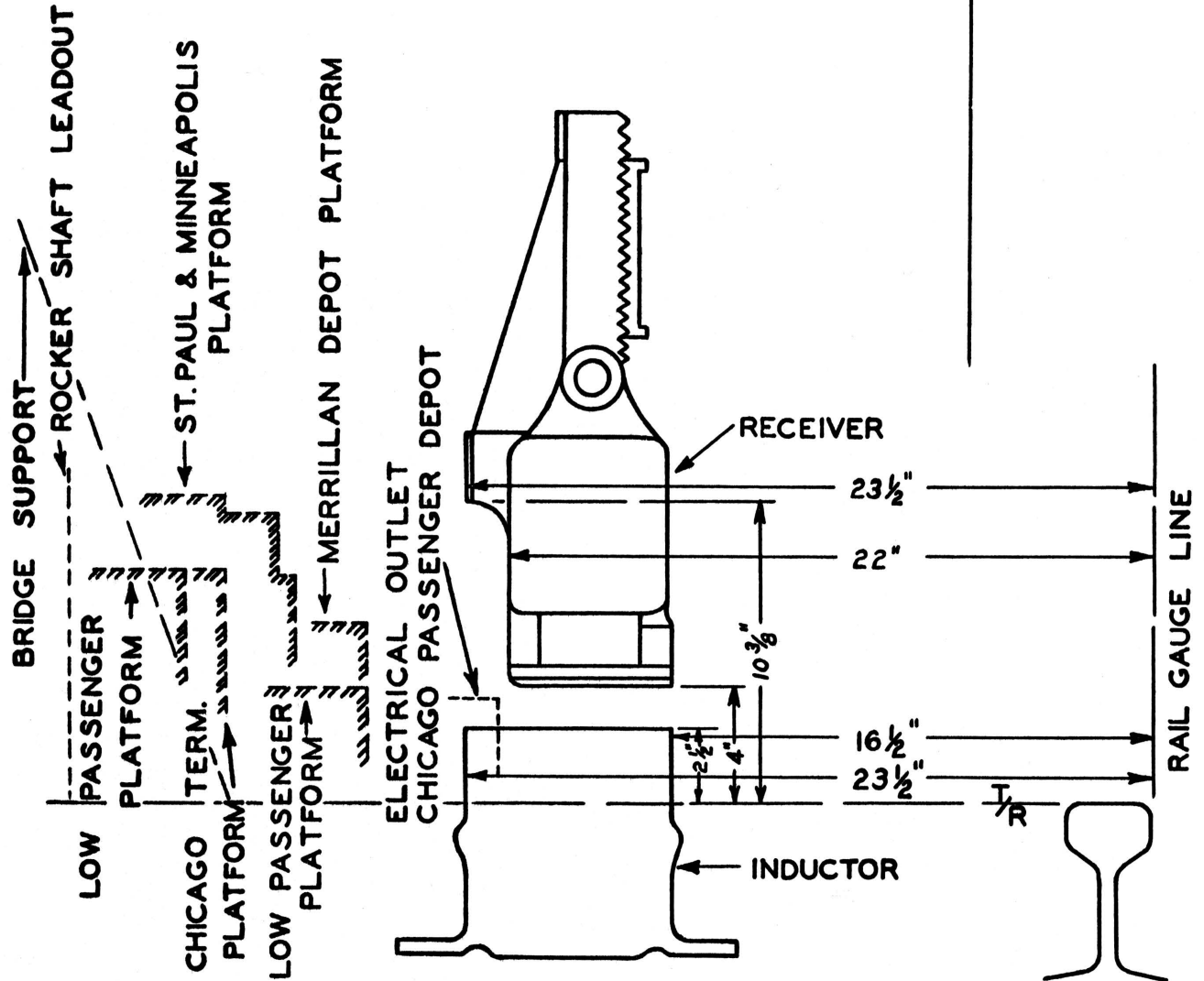


MADE 5-18-51

REVISIONS



C. & N. W. R. Y.
CLEARANCE DIAGRAM
INTERMITTENT INDUCTIVE
TRAIN STOP SYSTEM

OFFICE OF ASST. CHIEF ENG'R.-C.&S.
 CHICAGO, ILL. 5-18-51

SCALE: 2"=1'

C. & N. W. R. Y.
S. D. X 127

DRAWN BY *[Signature]*
 TRACED BY *[Signature]* CHECKED BY *[Signature]*